

Post-Bake Ovens

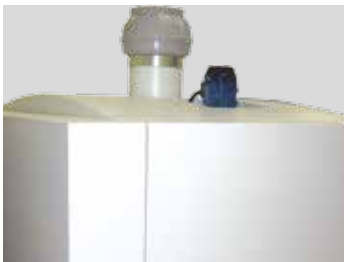


**RUGGED.
FLEXIBLE.
EFFECTIVE**

The press run length of plates is significantly increased by post-baking. The Glunz & Jensen Post-bake Oven offers even and rapid baking of the plates, it is easy to operate and maintain, and is fully compatible to any complete plateline.

The optimal balanced air flow recirculation system and the advanced control ensures an exceptional overall heat uniformity despite of any influence from the surroundings ie. the ambient room temperature. A driven wire mesh belt safely transports the plates through the heating section and onto a post-bake conveyor.

Simple electronic display gives the user full and easy control of the temperature and speed via the four selectable programs. These programs can be programmed with the wanted speed and temperature for individual plate types.



▲ Post-bake oven with extraction heat fan that removes fumes and excessive heat for optimal environmental working conditions.



▲ Complete possible plateline example showing: Pre-Bake Oven with input conveyor, a plate Processor and Post-Bake Oven.



▲ Gentle cooling of plates: Hinged 500 or 1000 mm driven mesh delivery conveyor (optional).

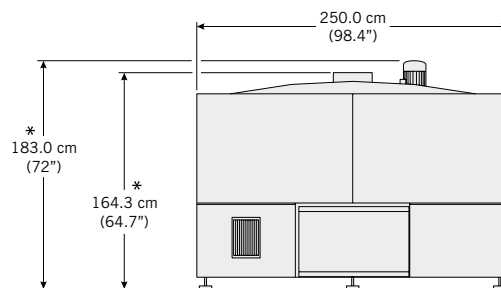
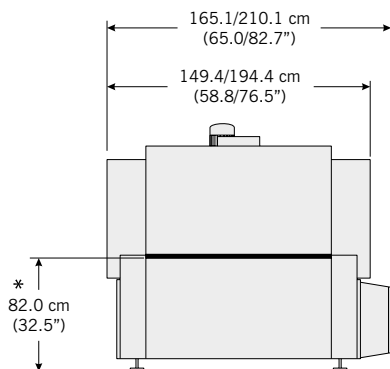


▲ Turn the oven on and select from one of four pre-programmed settings on the simple control panel. The oven will be ready for use when the correct temperature is reached.

- Offers the most stable hot-air system in the world
- Very even and controlled baking of the plates
- Integrates with all plate-line configurations
- Interfaces from Stacker to Processor
- Easy to operate and maintain



Postbake Ovens		
MODEL	85	125
PERFORMANCE		
Process speed	0.50-1.5 m/min - programmable (33.5-39.4-51.2"/min) - programmable	0.50-1.5 m/min - programmable (33.5-39.4-51.2"/min) - programmable
Plate width, max	850 mm (33.5")	1250 mm (49.2")
Plate length, max	2000 mm (78,2")	2000 mm (78,2")
Plate thickness, max	0,4 mm	0,4 mm
CONSUMPTION		
Temperature range	Ambient to 290 °C (554 °F)	Ambient to 290 °C (554 °F)
Power supply	400V 50/60Hz 3W + N + PE or 230V 50/60Hz 3W + PE	
Voltage tolerance	+10 / -14%	+10 / -14%
Power required	230 Vac, 48 A, 24 kW	230 Vac, 58 A, 30 kW
Note: Power consumption reduces by approximately two-thirds after warm-up period.		
BTU: Warm up, Stand-by	81450 / 27150	102364 / 34120



Glunz & Jensen Headquarters
 Selandia Park 1
 DK-4100 Ringsted, Denmark
 +45 5768 8181
 gj@glunz-jensen.com

Glunz & Jensen Americas
 Milford Business Centre
 500 Commerce Drive
 Quakertown, PA 18951, USA
 Tel.: +1 267 405-4000
 gj-americas@glunz-jensen.com

Glunz & Jensen Asia
 Suzhou, 215129, P.R. China
 +852 9230 2919 (HK)
 +86 150 1890 1632 (CH)
 gj-china@glunz-jensen.com